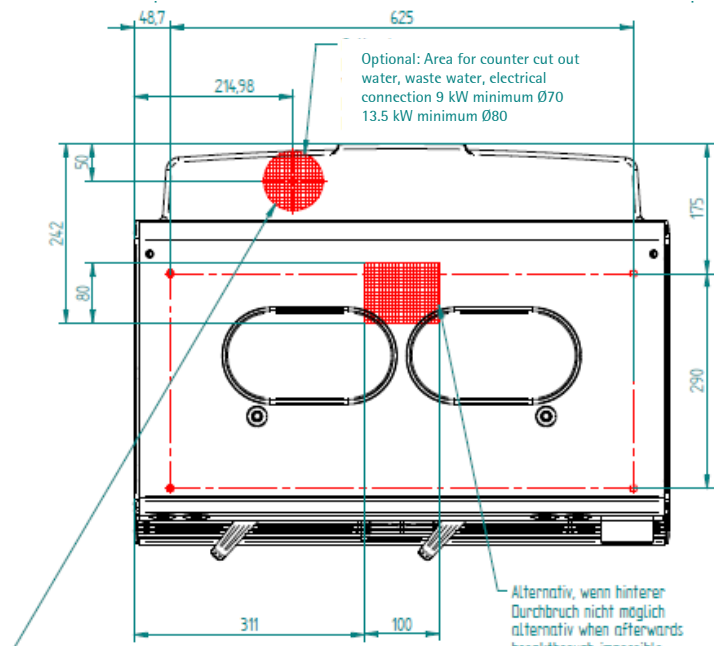
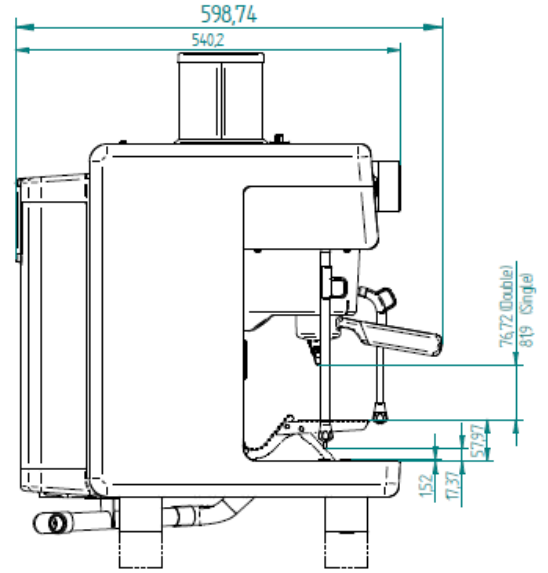
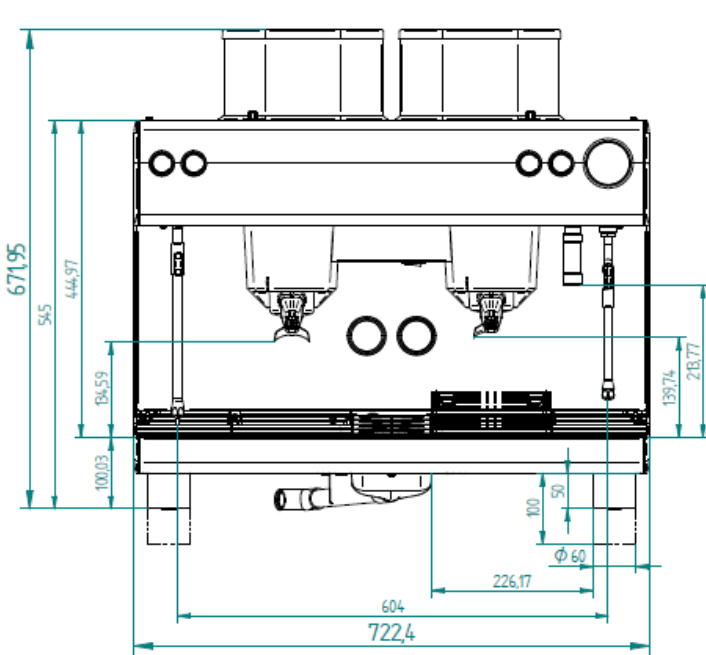


WMF coffeemachines

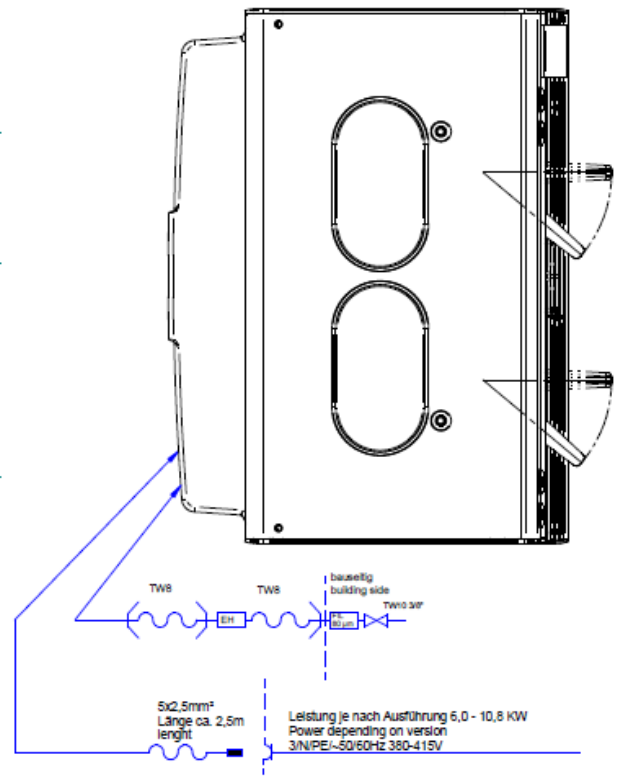


WMF espresso with extended bean hoppers planning information



Optional: Area for counter cut out water, waste water, electrical connection 6 kW minimum Ø70

Thekendurchbrüche
break through counter



WMF espresso with extended bean hoppers planning information

Conditions for usage and installation

Any necessary on-site preparatory work for electricity, water and drainage connections at the customer's premises is to be arranged by the machine owner / operator. The work must be carried out by authorised installation technicians in compliance with general, country-specific and local regulations. The WMF service engineers may only connect the coffee machine to existing prepared connection points. WMF Service is neither authorised nor responsible for carrying out any on-site installation work prior to connection.

Dimensions and weight empty	Width	723 mm
	Height	672 mm
	Depth	540 mm
	Clearance heights	140 mm Single spout 135 mm Double spout 214 mm Hot water outlet
	Weight empty	Approx. 75 kg
Water supply	Water supply line	TW15 (DN 15 at least DN 6 or 1/4") hose connector with main shutoff valve and contaminant filter, with a mesh size of 0.08 mm, by customers on-site. At least 0.05 MPa (0.5 bar) supply pressure at 2 l/min (low pressure). At least 0.30 MPa (3.0 bar) supply pressure at 2 l/min (standard). Maximum 0.6 MPa (6 bar).
	Inlet temperature	Maximum 35 °C.
	Water drain tube	Tube a minimum of DN 19, minimum downward slope of 2 cm/m
For use at altitude above NN	<2000 m	
Electrical data	Nominal power rating	6.0-7.0 kW
	Power supply	380-415 V 50 / 60 Hz (3 / N / PE)
	Degree of protection	IP X0
	Protection Class	A

WMF espresso with extended bean hoppers planning information

<p>Installation Clearance</p>	<p>For operating, service, and safety reasons the machine should be installed with a clearance from the building or non-WMF components of not less than 50 mm at the sides and 60 mm at the back. A minimum working space of 800 mm in front of the coffee machine is recommended. Clearance of at least 200 mm above the product hopper is recommended. The height of the installation surface above the floor is at least 850 mm. If the coffee machine connections are to be run downwards through the counter, please make space for the lines, which can reduce the usable space below the machine.</p> <p>If the coffee machine is operated with a water filter the additional space under the machine depending on the filter size has to be considered. For further information see filter instructions.</p>
<p>Ventilation</p>	<p>If ventilation possibility is limited sufficient ventilation need to be provided e.g machine on feet extension, active ventilation, additional ventilation slots/ openings in counter area. Ventilation slots must not be covered. Under certain circumstances a forced ventilation on site is necessary to ensure heat dissipation.</p>
<p>Installation surface / water spray</p>	<p>The device must be placed and leveled on a horizontal, sturdy, water-resistant, and heatproof base. The device must not be cleaned using a water jet. The device must be installed where it is protected against water spray. The device must not be located on a surface that is sprayed or cleaned with a water hose, steam jets, steam cleaner, or similar devices.</p>
<p>Electrical connection</p>	<p>These specifications for the electrical connection and the standards quoted apply for connecting the coffee machine in EU countries. It may be necessary to also observe additional country-specific regulations. Outside the EU countries acceptance of the standards quoted is to be checked by the legal entity or natural person who wishes to use the coffee machine. The local power supply must be constructed according to the currently valid IEC 364 (DIN VDE 0100). An isolated ground socket or a country-specific single-phase socket for single-phase connection, or a 5-pole CEE / CEKON socket per EN 60309 or a country-specific multi-pole socket for a three-phase connection, must be available near the machine. The sockets are part of the customer's on-site installation. The mains cable must not come into contact with hot surfaces. If the mains cable for this device is damaged then it must be replaced by our service personnel or a similarly qualified person, in order to prevent hazards.</p>
<p>Water supply and drainage</p>	<p>The water supply must be located close to the machine (max. distance 800 mm). An anytime easily accessible and sufficiently dimensioned water tap (preferably ball tap) as well as a dirt filter with mesh size 0,080 mm must be installed below the counter in the water supply. If the coffee machine is connected to a drain connection, a siphon must be installed in the drain pipe. (Fit hose connection in funnel with hose ring mount.) For connection from below through the counter a cut-out must be made in the hatched area according to drawing (see top view). For drinking water with carbonate hardness above 5°dKH (carbonate hardness), a WMF water filter should be fitted upstream.</p>

WMF espresso with extended bean hoppers planning information

Miscellaneous	Ambient temperature	+5 °C to maximum +35 °C (empty the water system in case of frost).
	Maximum humidity	80 % relative humidity without condensation. Always store in a frost-free location.
	Heat dissipation	0.15 kWh/h standby mode 7.00 kWh/h maximum use
	Continuous sound pressure level (Lpa)	< 70 dB(A)

For more information as the instruction manual , safety data sheets and certificates , see:
<http://mediacenter.wmf.com/servicecenter/>

All information refers to coffee machines/ equipment as standard version. Individual solutions can differ from the standard version.